

**Revic develops products** with performance in mind, not price targets. Then we partner with the world's premium original equipment manufacturers to build products with **exceptional quality and value.**

Finally, we test and inspect the products in our facility to **guarantee** quality. This is the formula for keeping costs down and quality and performance high for Revic products. **Selling directly to the consumer** keeps the price down by cutting out the all the extra markup required to sell through retail.



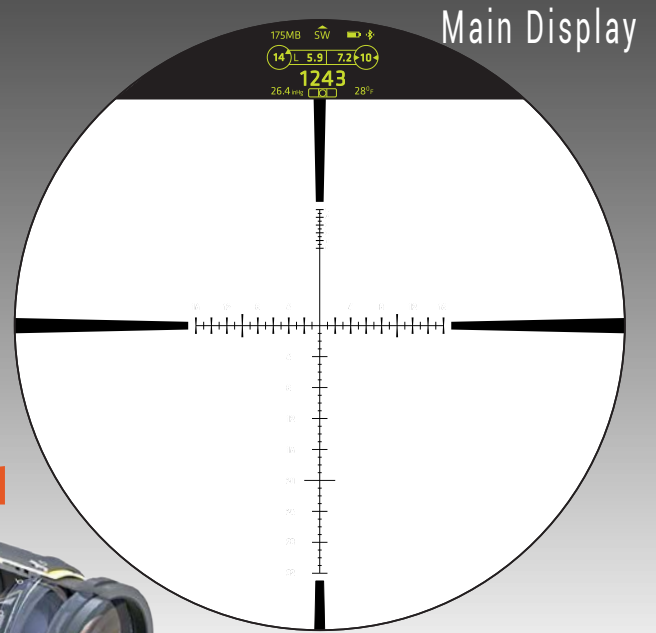
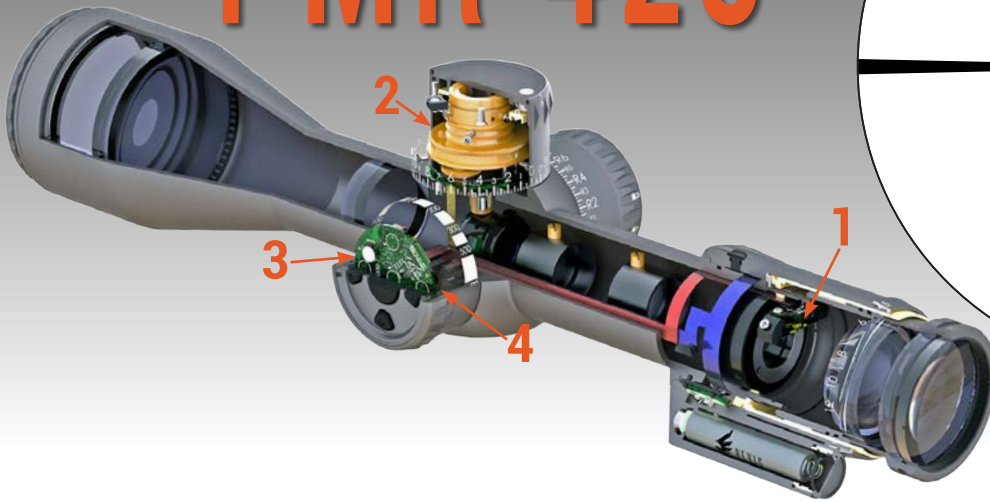
# REVIC

REVOLUTIONARY  
OPTICS

Consumer  
Direct Pricing

REVICOPTICS.COM

# REVIC PMR 428



Features	
Heads Up Display (1)	On-board Ballistics Computer (4)
Turret Position Encoder (2)	Bluetooth Programming Via App
Environmental Sensors (3)	Virtual Bullet Drop Compensation

Ballistic App Inputs
Sight Height
Mount Angle
Barrel Twist and Direction
Muzzle Velocity
Ballistic Coefficient (G1, G7, Custom)
Bullet Weight
Bullet Length
Caliber
Zero Range
User Defined Settings
Timeout in 5min Increments
Illuminated Reticle Color (W,B,C,G,Y,M,R)
Illuminated Reticle Intensity
Display Intensity
Sensor Temperature Override
Latitude
Nominal Wind Speed
Wind Vector
Coriolis On/Off
Zero Range & Offset
Muzzle Velocity & Ballistic Coefficient

Sensors
Compass
Incline
Cant
Pressure
Temperature
Absolute Positional Rotary Encoder
Ballistic Calculations
Vertical Drop
Directional Wind
Spin Drift
Coriolis
Aerodynamic Jump

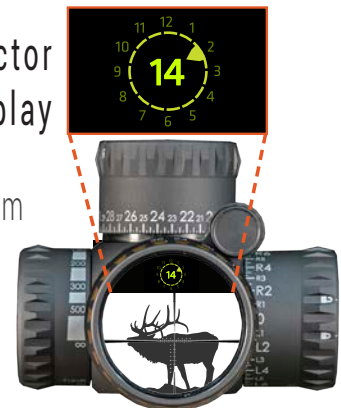
vBDC  
Display



## Dial Range

Adjusting the elevation turret activates the vBDC - automatically correcting for inclination, compass direction, temperature and pressure.

Wind Vector  
Display



## Call Wind

Total windage correction - derived from heading, speed inputs, and spin drift.



# REVIC PMR 428

Optical Specifications	low	high
Magnification	4.5	28
Objective Diameter (CA) (mm)	56	
Ocular Diameter (mm)	38	
Entrance Pupil (mm)	39.1	56
Exit Pupil (mm)	8.3	2
Eye Relief (mm / inches)	90 / 3.5	
Optical Length (mm)	342.6	
Field of View (cm @ 100m / ft @ 100yd)	81 / 266	13 / 43
Diopter Adjustment Range	± 2.5	
Parallax Adjustment Range	50 to ∞	
Elevation Adjustment Range (moa)	± 40	
Windage Adjustment Range (moa)	± 25	
Elevation Adjustment per Revolution (moa)	30	
Click Value (moa)	0.25	
Reticle Type	FFP Illuminated	

Physical Specifications	
Tube Diameter (mm)	34
Overall Length (mm / inches)	355 / 14
Overall Width (mm / inches)	96.6 / 3.8
Mounting Length (E) (mm / inches)	159 / 6.3
Eyepiece Length (B) (mm / inches)	93.3 / 3.67
Eyepiece Diameter (A) (mm / inches)	46 / 1.81
Objective Bell Diameter (G) (mm / inches)	65 / 2.56
Objective Bell Length (H) (mm / inches)	110.4 / 4.35
Front Tube (D) (mm / inches)	46.7 / 1.84
Rear Tube (C) (mm / inches)	57.4 / 2.26
Turret Height (F) (mm / inches)	49.2 / 1.94
Weight (g / oz)	1332 / 46.9
Environmental Specifications	
Operating Temperature Range (C / F)	-20 to 50 / -4 to 122
Water resistance (submersion)	IP67 (3m/10ft for 30min)
Sensor protection	Goretex Membrane
Electrical Specifications	
Battery Type	1.5V AAA
Battery Life, Hours (continuous @ 20°C / 72°F)	10
Microdisplay Type	Monochrome Yellow AMOLED

